

⚡ Specifications

Nominal Voltage(V)

12V

Nominal Capacity

10 hour rate	(0.6A	to	10.50V)	6Ah
5 hour rate	(1.02A	to	10.20V)	5.1Ah
1 C	(6A	to	9.60V)	2.7Ah
3 C	(18A	to	9.60V)	2.1Ah

Weight

Approx. 2.07kg(4.55Lbs.)

Internal Resistance (at 1KHz)

Approx. 14 mΩ

Cold Cranking Amperes (-17.8 °C)

90A

High rate discharge characteristics (-10 °C)

Discharge current (A)	40A
Duration (min)	0.9min
5 second voltage (V)	8.6V

Operating Temperature Range

Charge	-15 (5 °C)	to	40 (104 °C)
Discharge	-15 (5 °C)	to	50 (122 °C)
Storage	-15 (5 °C)	to	40 (104 °C)

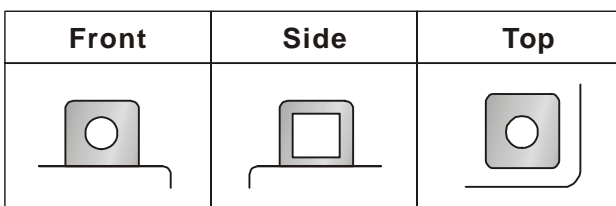
Charge Retention (shelf life) at 20 °C (68 °F)

1 month	92%
3 month	90%
6 month	80%

Case Material

PP

Terminal Shape



⚡ Dimensions

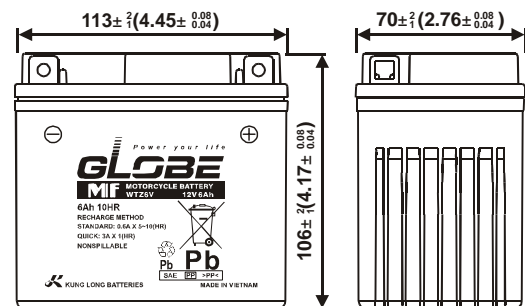
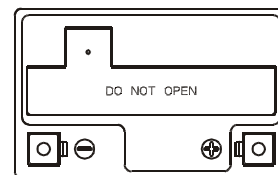
Length (L) 113±2-1 (4.45±0.08-0.04)

Width (W) 70±2-1 (2.76±0.08-0.04)

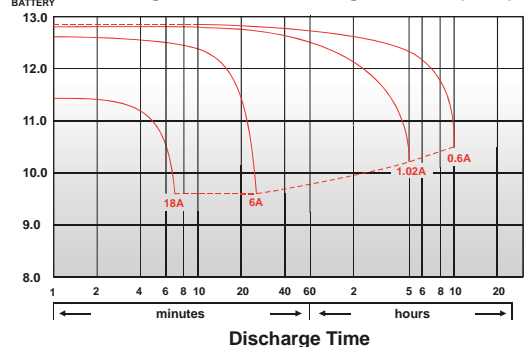
Height (H) 106±2-1 (4.17±0.08-0.04)

Overall Height (HT) 106±2-1 (4.17±0.08-0.04)

mm(inch)



(V) Discharge Time VS. Discharge Current (25 °C) FOR 12V BATTERY



290318-1E-V